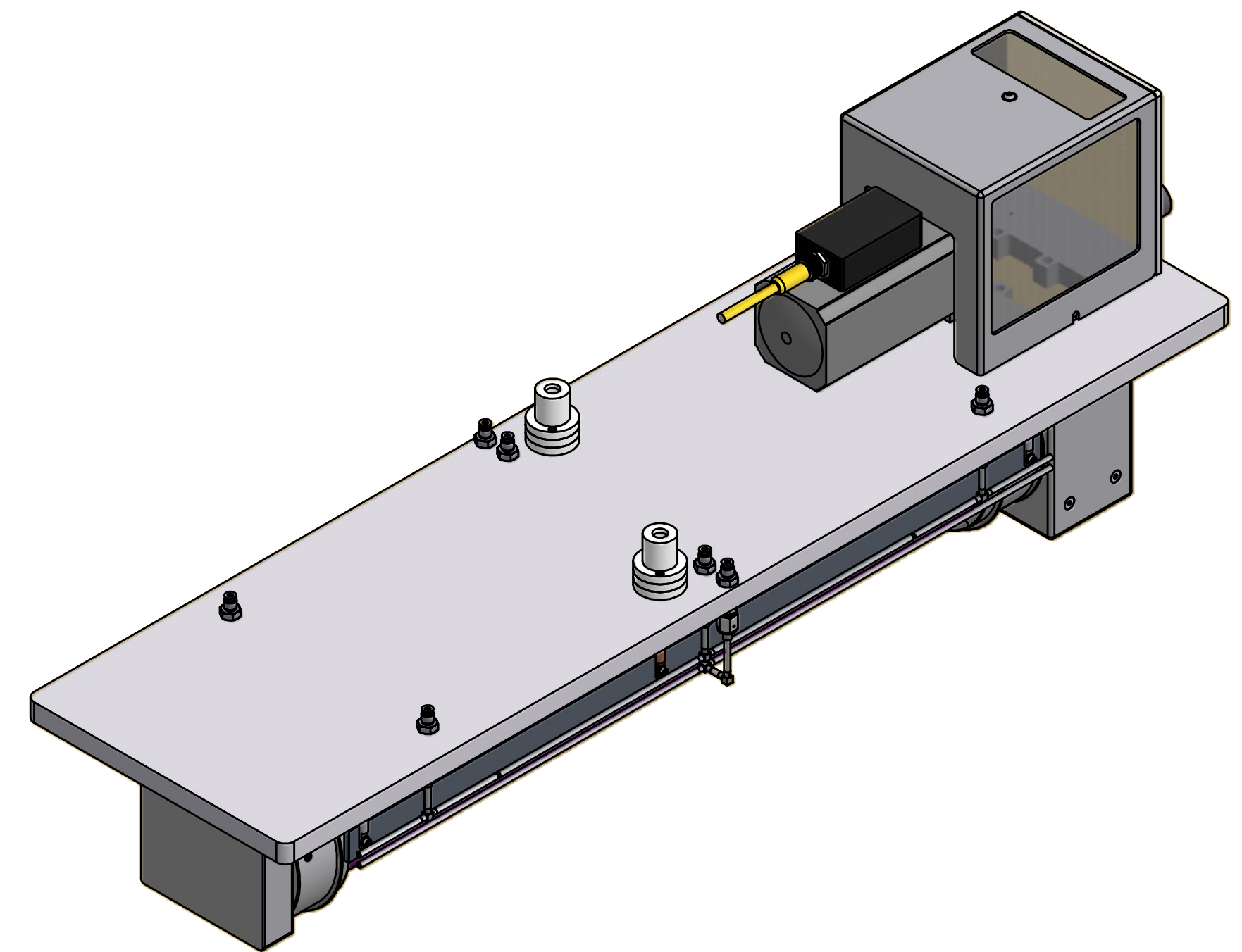


LID DETAIL
GAS AND ANODE DETAILS ARE NOT SHOWN BECAUSE
THEY WILL VARY DEPENDING UPON LENGTH



REVOLUTION COMPACT DROP-IN CYLINDRICAL - SINGLE
UNITS: INCHES

NO.	DATE	REVISION	BY	TOLERANCES (UNLESS OTHERWISE SPECIFIED)	CONFIDENTIAL	SCALE: 1/4	ANGSTROM SCIENCES, INC.
				LINEAR (IN.) FRACTIONAL = ± 1/64 2 PLACE DECIMAL = ± 0.01 3 PLACE DECIMAL = ± 0.005 4 PLACE DECIMAL = ± 0.0005	NOTICE: THE INFORMATION CONTAINED HEREIN IS PROPERTY OF ANGSTROM SCIENCES, INC. DUQUESNE, PA AND CONTAINS PROPRIETARY INFORMATION WHICH HAS BEEN SUBMITTED TO YOU IN CONFIDENCE FOR A SPECIFIC PURPOSE. COPYING, USING, OR DISCLOSING THIS DRAWING OR THE INFORMATION ON IT WITHOUT ANGSTROM SCIENCES PRIOR WRITTEN CONSENT BY AN APPROVED REPRESENTATIVE IS PROHIBITED AND MAY BE GROUNDS FOR LEGAL ACTION. PATENTABLE DESIGN FEATURES ARE PROTECTED BY UNITED STATES PATENT LAWS.	DRAWN BY: jlowmaster DATE: 8/29/2017 CHKD BY: DATE: APVL BY:	TITLE: DRAWING NUMBER: REV. SIZE
S:\Angstrom Inventor\1-MAGNETRON\CYLINDRICAL\CONFIGURATOR FILES\CYLINDRICAL CATHODE DRAWINGS\COMPACT DROP-IN SINGLE\2900.idw					DEGREES = 41' DEGS. MINS = 490' 30"	SHEET 1 OF 1	2900
							D