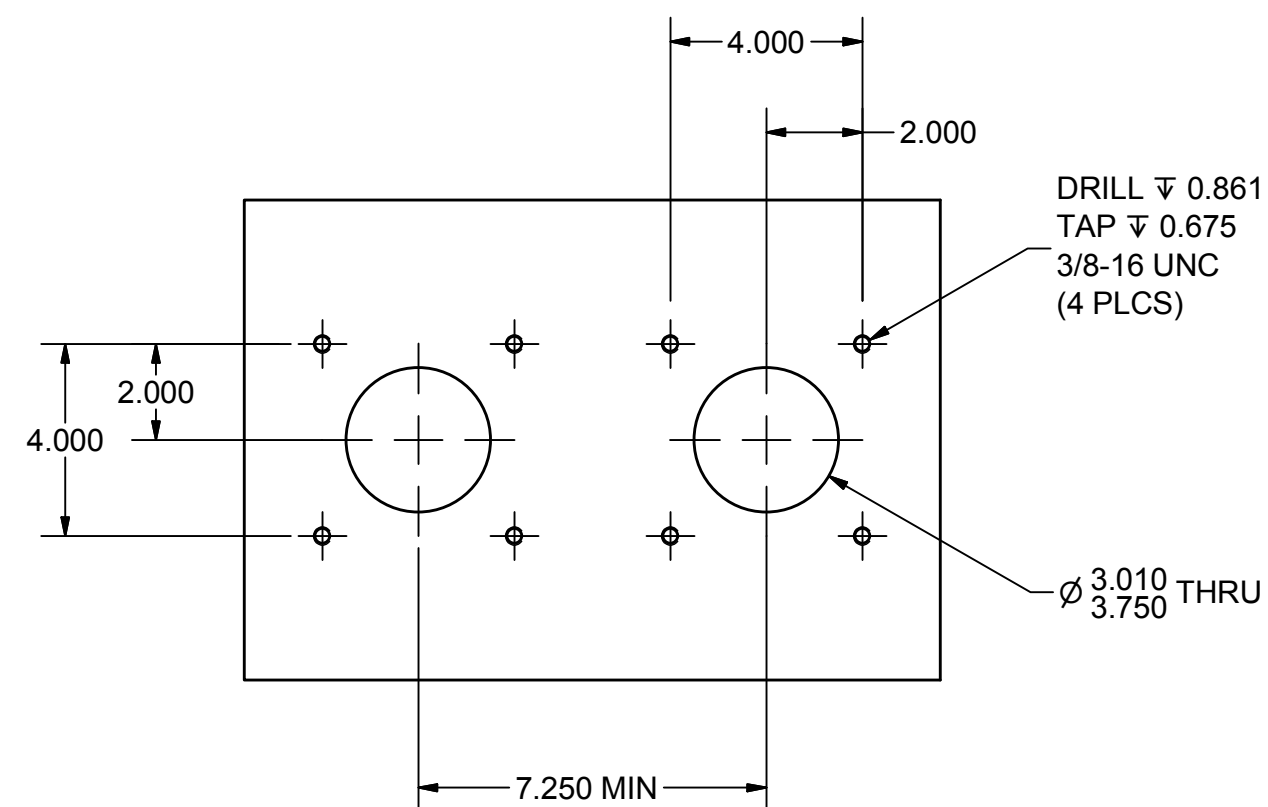
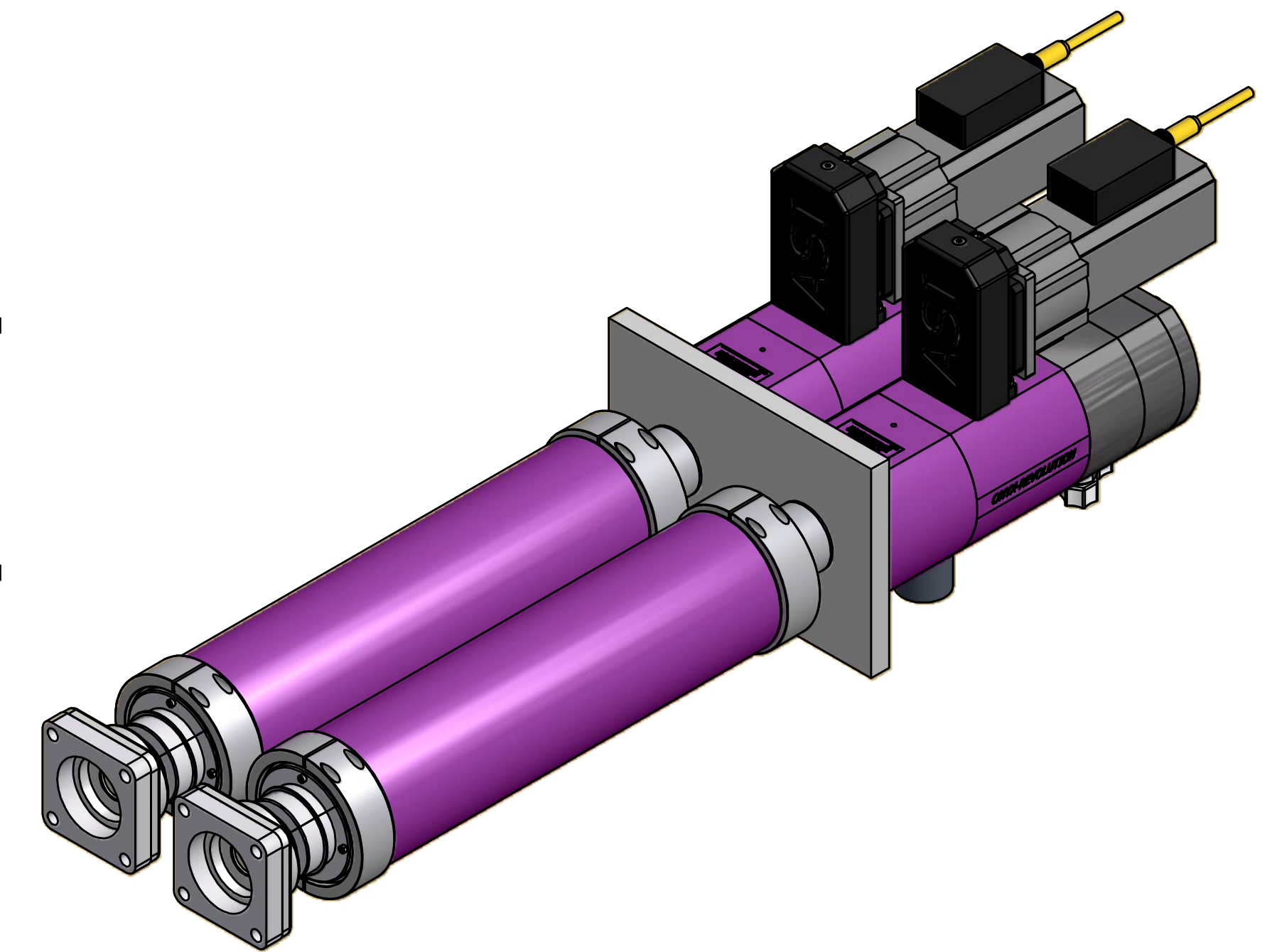
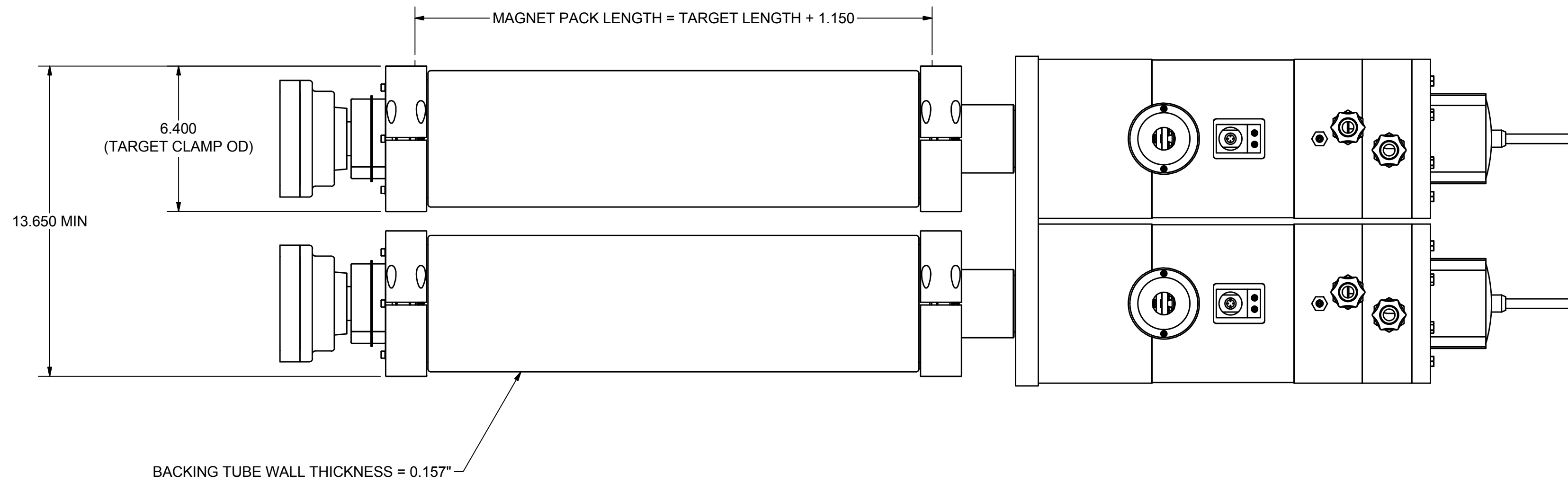
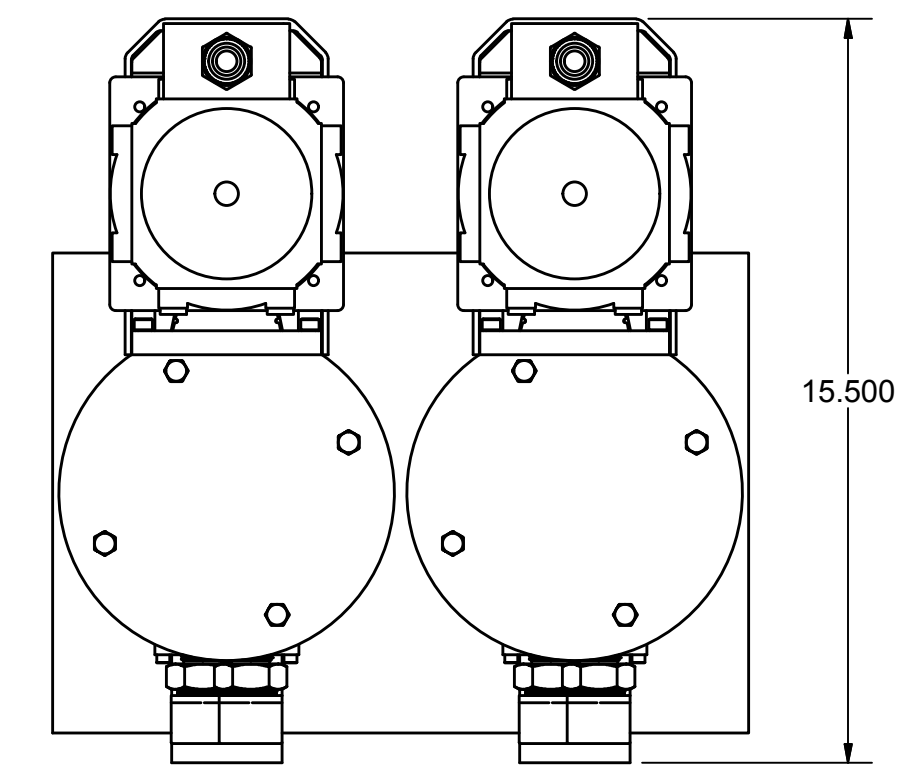
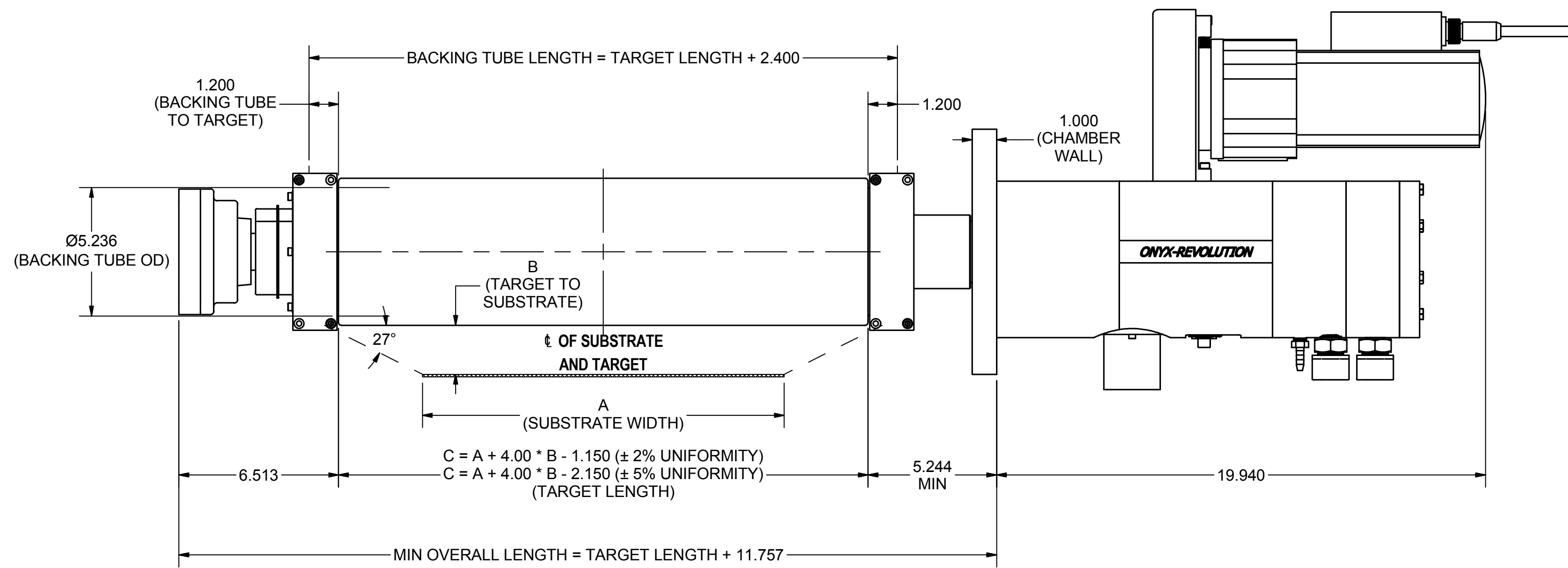


SUPPORT BEARING DETAIL



SEAL FACE DETAIL

REVOLUTION SIDE-MOUNT CYLINDRICAL - DUAL

UNITS: INCHES

NO.	DATE	REVISION	BY	TOLERANCES (UNLESS OTHERWISE SPECIFIED)	CONFIDENTIAL	SCALE: 1/4	ANGSTROM SCIENCES, INC.	
				LINEAR (IN.)	NOTICE: THE INFORMATION CONTAINED HEREIN IS PROPERTY OF ANGSTROM SCIENCES, INC. DUQUESNE, PA AND CONTAINS PROPRIETARY INFORMATION WHICH HAS BEEN SUBMITTED TO YOU IN CONFIDENCE FOR A SPECIFIC PURPOSE. COPYING, USING, OR DISCLOSING THIS DRAWING OR THE INFORMATION ON IT WITHOUT ANGSTROM SCIENCES PRIOR WRITTEN CONSENT BY AN APPROVED REPRESENTATIVE IS PROHIBITED AND MAY BE GROUNDS FOR LEGAL ACTION. PATENTABLE DESIGN FEATURES ARE PROTECTED BY UNITED STATES PATENT LAWS.	DATE: 8/29/2017	TITLE:	
				FRACTIONAL = ± 1/64		DRAWN BY: jlowmaster		
				2 PLACE DECIMAL = ± 0.01		CHKD BY:		
				3 PLACE DECIMAL = ± 0.005		APVL BY:		
				4 PLACE DECIMAL = ± 0.0005		DATE:		
				ANGULAR		DATE:		
				DEGREES = ± 1°		DATE:		
				DECS. MINS = ± 30'		DATE:		
S:\Angstrom Inventor\1-MAGNETRON\CYLINDRICAL\CONFIGURATOR FILES\CYLINDRICAL CATHODE DRAWINGS\COMPACTSIDE-MOUNT\HORIZONTAL OR VERTICAL\DUAL\4000.idw						SHEET 1 OF 1	DRAWING NUMBER: 4000	
							REV. SIZE	D