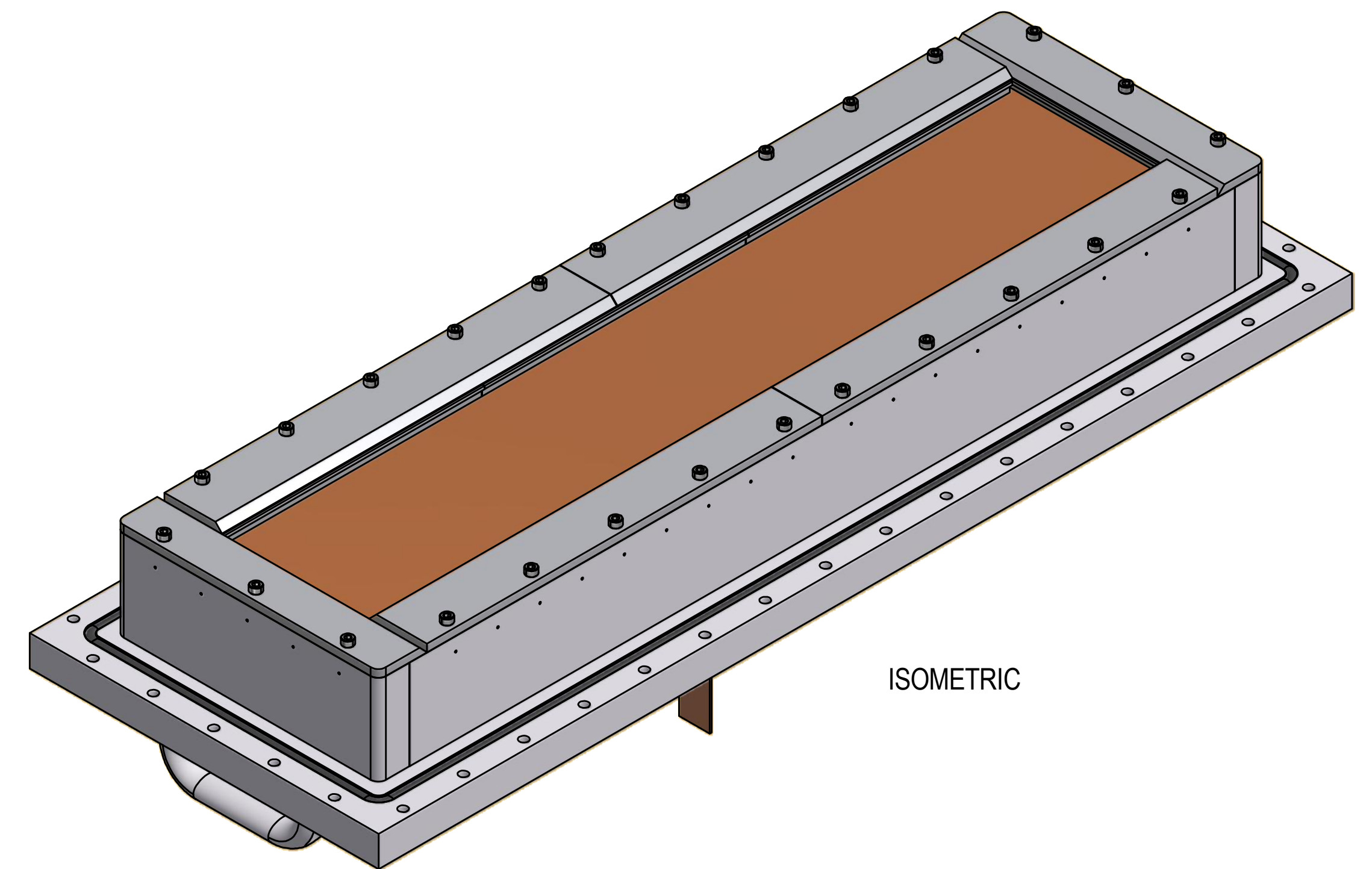
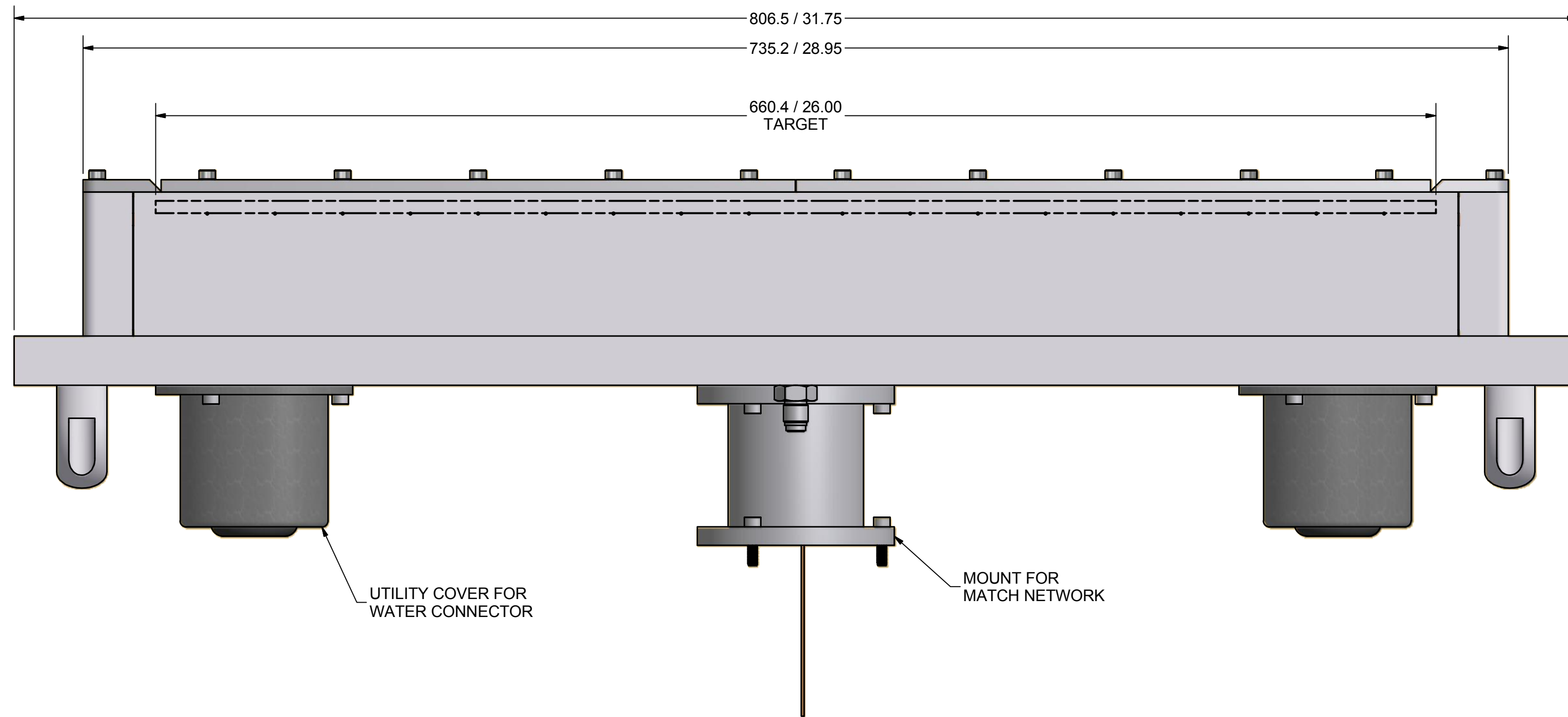
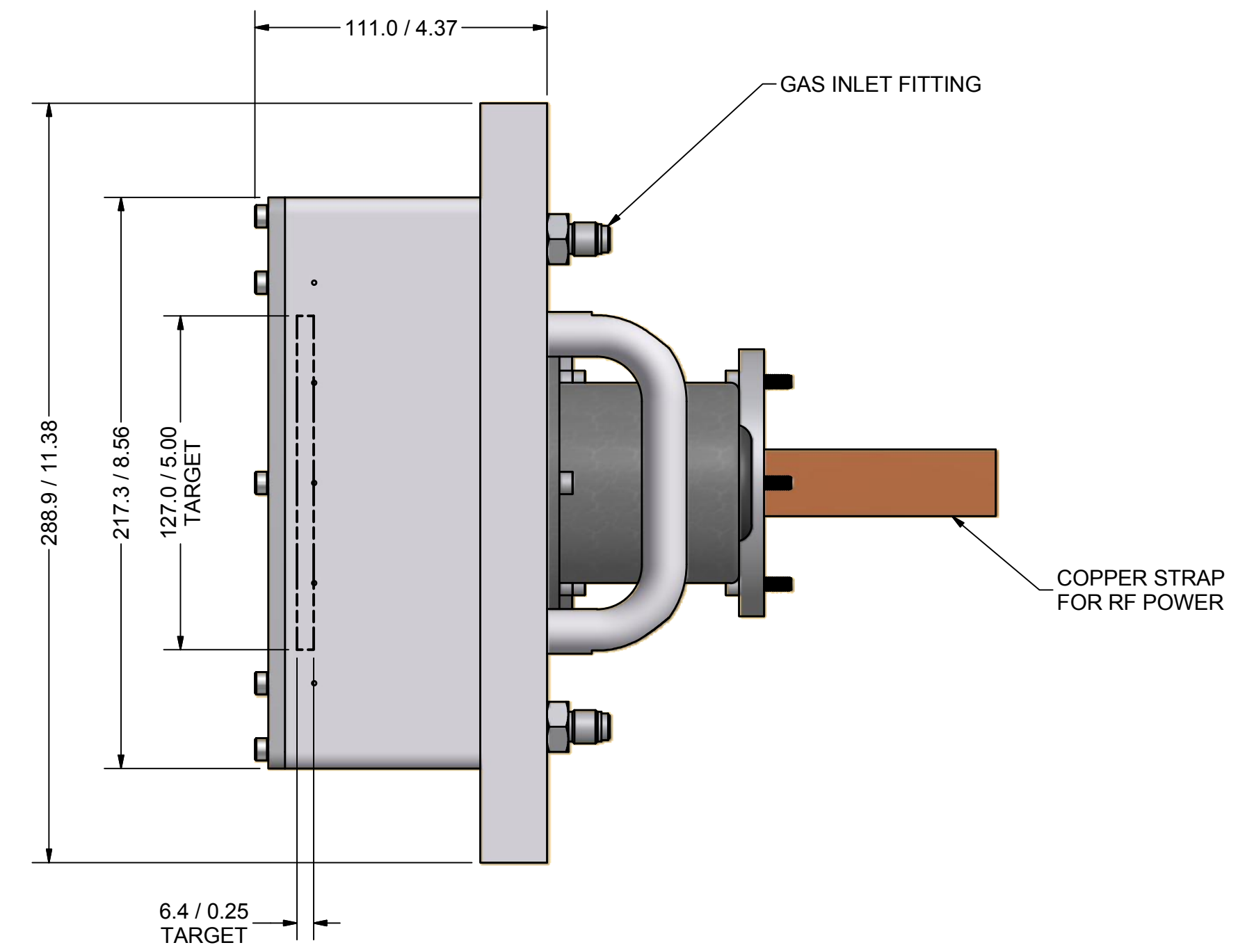


MOUNTING FLANGE



ISOMETRIC

NO.	DATE	REVISION	BY	TOLERANCES (UNLESS OTHERWISE SPECIFIED)	CONFIDENTIAL	SCALE: NTS	ANGSTROM SCIENCES, INC.	
				LINEAR (IN.) NO DECIMAL = ± 1/64 FRACTIONAL = ± 0.01 2 PLACE DECIMAL = ± 0.005 3 PLACE DECIMAL = ± 0.0005 4 PLACE DECIMAL = ± 0.00005 LINEAR (MM) NO DECIMAL = ± 0.5 1 PLACE DECIMAL = ± 0.1 2 PLACE DECIMAL = ± 0.01 ANGLUAR DEGREES = ± 1° DEGS, MINS = ± 00° 30' DEGS, MINS, SECS = ± 00° 00' 30"	NOTICE: THE INFORMATION CONTAINED HEREIN IS PROPERTY OF ANGSTROM SCIENCES, INC. DUQUESNE, PA AND CONTAINS PROPRIETARY INFORMATION WHICH HAS BEEN SUBMITTED TO YOU IN CONFIDENCE FOR A SPECIFIC PURPOSE. COPYING, USING OR DISCLOSING THIS DRAWING OR THE INFORMATION ON IT WITHOUT ANGSTROM SCIENCES' PRIOR WRITTEN CONSENT BY AN APPROVED REPRESENTATIVE IS PROHIBITED AND MAY BE GROUNDS FOR LEGAL ACTION. PATENTABLE DESIGN FEATURES ARE PROTECTED BY UNITED STATES PATENT LAWS.	DRAWN BY: jmaline CHECKED BY: APPROVED BY: DATE: 9/6/2017	TITLE: ONYX-526ED STD RF MAGNETRON ASSEMBLY SHEET 1 OF 1 PART NO.:	DRAWING NUMBER: ONYX-5 X 26 REV: D SIZE: